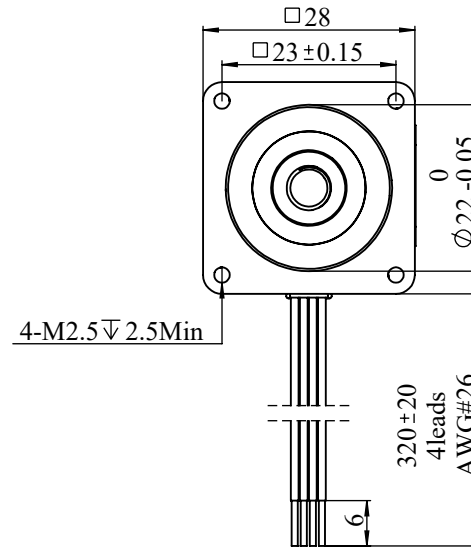
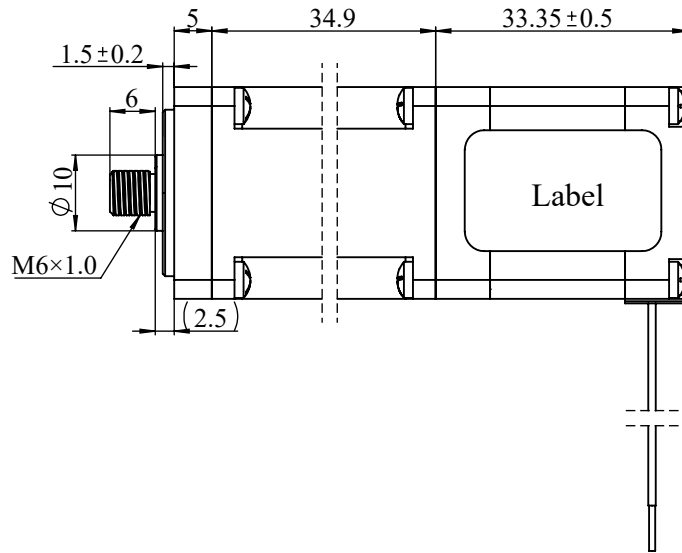



 11C21-100
 DINGS' MOTION
 Work order
 DATE REV00

REVISION			
REV.	DATE	DESCRIPTION	DRAWN BY



Motor's phase	2
Step angle(±5%)	1.8°
Rated current/phase	--A(RMS)
Resistance/phase(20°C)	--Ω±10%
Inductance/phase(1V,1kHz)	--mH±20%
Linear travel per step	--mm/step
Lead screw diameter	φ4.77mm
Lead screw lead	--mm
Nut material	--
Insulation class	B
Insulation resistance	100MΩ(500VDC)
Heat rise	80°C
Motor weight	0.12 kg
Thrust	--
Stroke	25.4mm

Notes,

1.To maximize output force and life of linear actuators, radial load on lead screws should be avoided or be kept at a minimum.

NOTICE TO PERSONS RECEIVING THIS DRAWING
 THIS DRAWING IS ONLY CONDITIONALLY ISSUED, AND FOR THE SOLE PURPOSE OF INFORMING LICENSEES AND ASSOCIATE CONTRACTORS OF DINGS' MOTION, AND VENDORS THERETO AND CUSTOMERS THEREOF. RECEIPT OR POSSESSION THEREOF DOES NOT CONFER TO TRANSFER ANY RIGHT IN THE SUBJECT MATTER OF THE DRAWING, THE DESIGN, CONSTRUCTION, TECHNICAL INFORMATION AND ALL OTHER SUBJECT MATTER SHOWN AND ASSOCIATE CONTRACTORS OF SAID CORPORATION AND ONLY FOR LICENSED MANUFACTURE, AND BY VENDORS MANUFACTURING FOR SAID CORPORATION AND ONLY FOR LICENSEES AND ASSOCIATE CONTRACTORS.



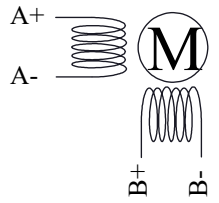

UNLESS OTHERWISE SPECIFIED ALL DIMENSIONS ARE IN MILLIMETERS AND TOLERANCES ARE AS BELOW PER ISO2768-cK.

LINEAR		ANGULAR	
0 ~ 3	±0.2	0 ~ 10	±15°
3 ~ 6	±0.5	10 ~ 50	±30°
6 ~ 30	±0.8	50 ~ 120	±1°
30 ~ 120	±1.5	120 ~ 400	±1.5°

DRAWN	DATE
APPRVD	DATE
MODEL	11C21-100

DINGS'

SIZE	A3	SHEET	1 OF 1
SCALE	1 : 1	REV	00

CUSTOMER	EXCITATION SEQUENCE
WIRING CHART 	CW 
	Red A+ + - Red/Wht A- - +
	Grn B+ + - Grn/Wht B- - +
	CCW 