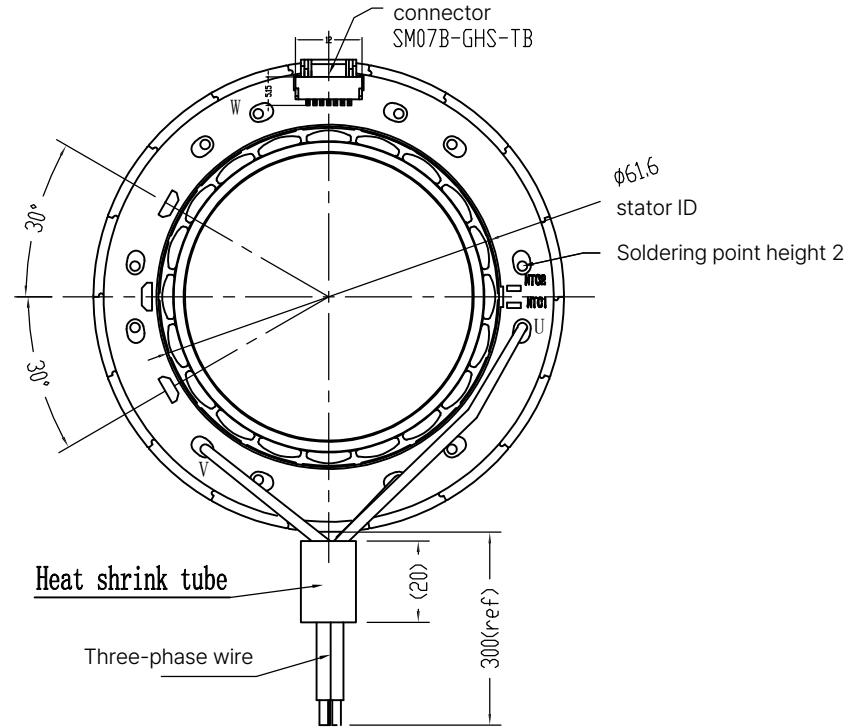
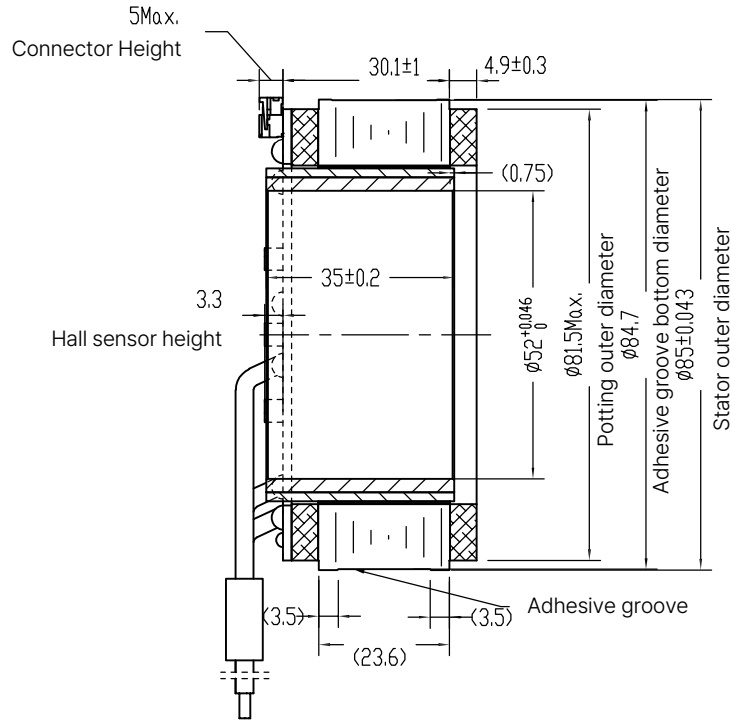


85ZWC35X-1

DINGS' MOTION DATE CODE

REV	DATE	DESCRIPTION	BY
00	20240202	ORIGINAL	YAN
01	20240417	CANCEL_POTTED_ID, UPDATED_PCB_THICKNESS_1.6MM_WAS_1.2MM UPDATED_ROTOR_HEIGHT_35.2_WAS_34.30.45_WAS_30.05 , INSULATION_CLASS_B_WAS_F	YAN
02	20241110	UPDATED_ROTOR_HEIGHT_35_WAS_35.2, 2NM_WAS_2.1NM	YAN



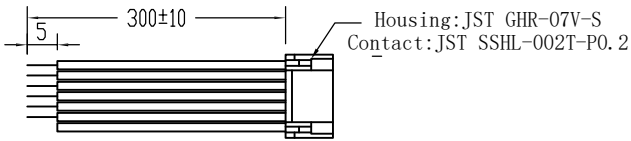
NOTE: 1、列表内峰值力矩测试基于电机稳态常温。  
2、列表内电机性能参数基于鼎智公司开环驱动，非闭环驱动。

REDUCTION RATIO	-	-	DIELECTRICAL STRENGTH	500V 1s 1mA
POLE PAIRS	-	10	INSULATION RESISTANCE	100MΩm 20C
RATED CURRENT	A	20.6 (REF)	MOUNTING TYPE	IM B5 V1 V3
RATED SPEED	RPM	3950 (REF)	DUTY TYPE	-
RATED TORQUE	N·m	2	COOLING TYPE	IC410
RATED POWER	W	827	PROTECTION GRADE	IP00
RATED VOLTAGE	VDC	48	INSULATION CLASS	F
PEAK TORQUE1	N·m	6	WEIGHT OF STATOR	460 <sup>~</sup> g
			WEIGHT OF ROTOR	189 <sup>~</sup> g
			ROTOR INERTIA	~1520g·cm <sup>2</sup>

THIS DRAWING IS ONLY CONDITIONALLY ISSUED, AND FOR THE SOLE PURPOSE OF INFORMING LICENSEES AND ASSOCIATE CONTRACTORS OF DINGS' MOTION, AND VENDORS THEREOF AND CUSTOMERS THEREOF, RECEIPT OR POSSESSION THEREOF DOES NOT CONFER TO TRANSFER ANY RIGHT IN THE SUBJECT MATTER OF THE DRAWING. THE DESIGN, CONSTRUCTION, TECHNICAL INFORMATION AND ALL OTHER SUBJECT MATTER IN THIS DRAWING ARE AND REMAIN, EXCEPT AS MAY BE OTHERWISE INDICATED BY WRITTEN NOTICE HEREON, THE EXCLUSIVE PROPERTY OF SAID CORPORATION. THIS DRAWING MAY BE REPRODUCED ONLY BY LICENSEES AND ASSOCIATE CONTRACTORS OF SAID CORPORATION AND ONLY FOR LICENSED MANUFACTURE, AND BY VENDORS MANUFACTURING FOR SAID CORPORATION AND ONLY FOR LICENSEES AND ASSOCIATE CONTRACTORS.

LINEAR		ANGULAR		DRWN	yan	DATE	20240202	DINGS' 鼎智			
0 - 3	±0.2	0 - 10	±1.5°	APRV		DATE		SIZE	A4		
3 - 6	±0.5	10 - 50	±1°	85ZWC35X-1						SCALE	1:2
6 - 30	±1	50 - 120	±0.5°								
30 - 120	±2	120 - 400	±0.25°								

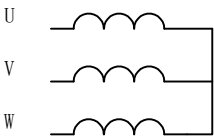
HALL and NTC Lead wires with housing



CUSTOMER

Motor Lead wires

Hall Lead wires



UL1332

16AWG

PHASE U	YEL
PHASE V	RED
PHASE W	BLK

UL1061

26AWG

+5 VDC	RED
HALL U	BLU
HALL V	GRN
HALL W	WHT
GND	BLK