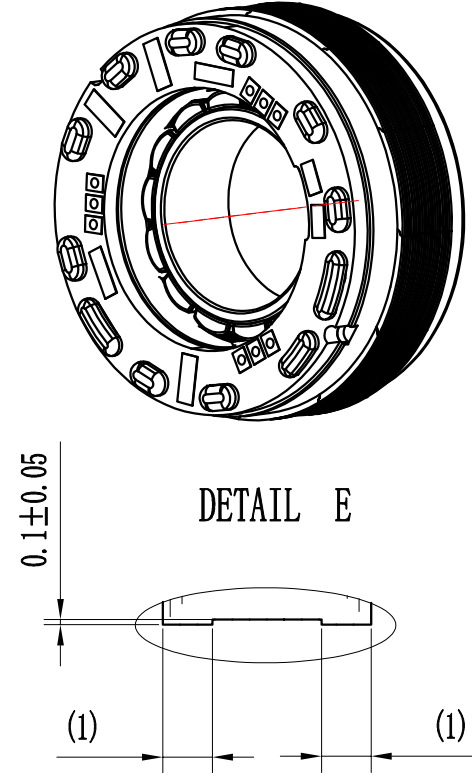
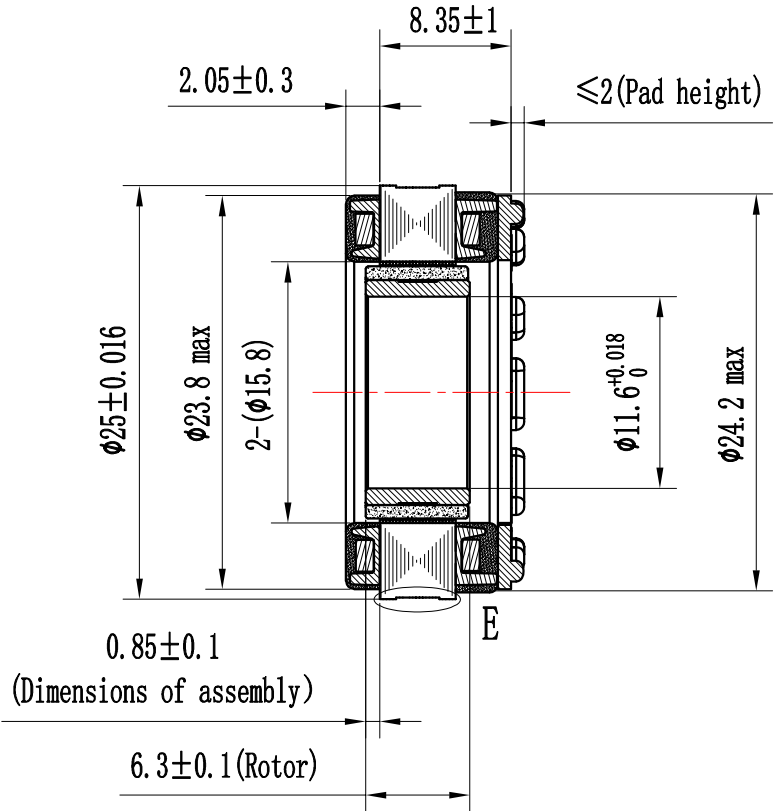
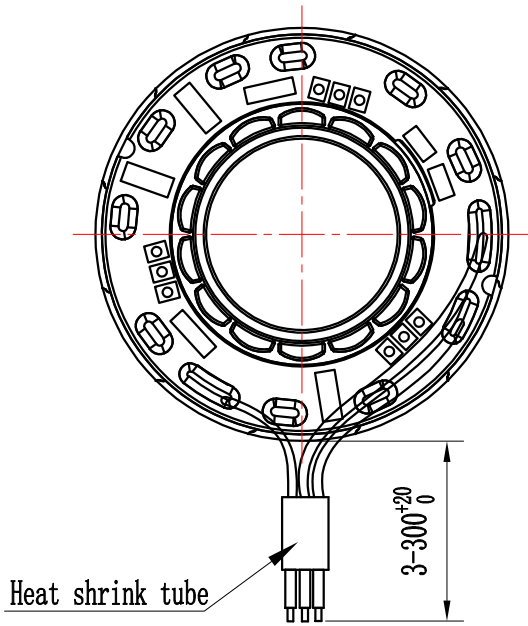


25ZWC10X-1
DINGS' MOTION DATE CODE

REV	DATE	DESCRIPTION	BY
00	20241226	INITIAL RELEASE	LIU JIN



- NOTES:
1. The performances in the table were tested at 20°C;
2. The motor performance parameters in the list are based on the open loop drive of DING'S Company.

RATED VOLTAGE	VDC	24	DIELECTRICAL STRENGTH	600V 50Hz 1s 3mA
RATED TORQUE	N-m	0.032	INSULATION RESISTANCE	50MΩhm 20°C
RATED SPEED	RPM	22650MAX	MOUNTING TYPE	-
RATED CURRENT	A	3.8±10%	DUTY TYPE	S2
PEAK POWER	W	70	COOLING TYPE	IC410
PEAK TORQUE	N-m	0.105	PROTECTION GRADE	IPO0
POLE PAIRS	-	7	INSULATION CLASS	F
WEIGHT	g	16 (REF)	ROTOR INERTIA	0.00147 kgcm ² (REF)

CUSTOMER					
U		UL1332	PHASE U	YELLOW	/
V		20AWG	PHASE V	RED	
W			PHASE W	BLACK	

THIS DRAWING IS ONLY CONDITIONALLY ISSUED, AND FOR THE SOLE PURPOSE OF INFORMING LICENSEES AND ASSOCIATE CONTRACTORS OF DINGS' MOTION, AND VENDORS THEREOF AND CUSTOMERS THEREOF. RECEIPT OR POSSESSION THEREOF DOES NOT CONFER TO TRANSFER ANY RIGHT IN THE SUBJECT MATTER OF THE DRAWING, THE DESIGN, CONSTRUCTION, TECHNICAL INFORMATION AND ALL OTHER SUBJECT MATTER IN THIS DRAWING ARE AND REMAIN, EXCEPT AS MAY BE OTHERWISE INDICATED BY WRITTEN NOTICE HEREON, THE EXCLUSIVE PROPERTY OF SAID CORPORATION. THIS DRAWING MAY BE REPRODUCED ONLY BY LICENSEES AND ASSOCIATE CONTRACTORS OF SAID CORPORATION AND ONLY FOR LICENSED MANUFACTURE, AND BY VENDORS MANUFACTURING FOR SAID CORPORATION AND ONLY FOR LICENSEES AND ASSOCIATE CONTRACTORS.

UNLESS OTHERWISE SPECIFIED ALL DIMENSIONS ARE IN MILLIMETERS AND TOLERANCES ARE AS BELOW		DRWN	LIU JIN	DATE	20241226	DINGS' 鼎智	
		APRV		DATE			
		25ZWC10X-1				SIZE	A4
						SCALE	1:1

LINEAR	ANGULAR
0 - 3 ±0.2	0 - 10 ±1.5°
3 - 6 ±0.5	10 - 50 ±1°
6 - 30 ±1	50 - 120 ±0.5°
30 - 120 ±2	120 - 400 ±0.25°